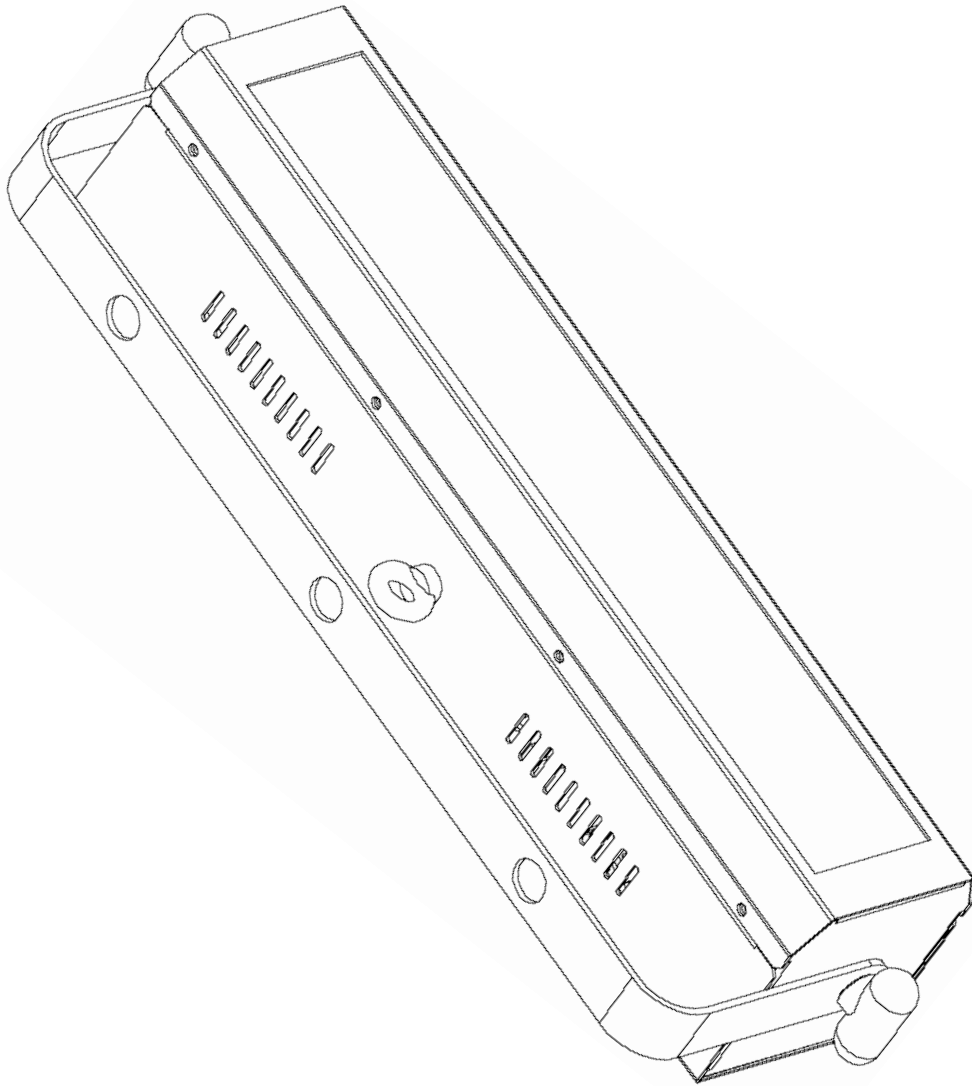


LEDSTROB200

132 x 0,2W SMD5050 LED

→ User Manual



Please keep this manual for further use

Table of Contents

Introduction	P2
Symbol instruction on the device	P3
Safety and description of device	P4
Menu operation instruction	P5-6
DMX512 Channels list	P7-8
DMX512 connection	P8
DMX address setting/Luminous testing report	P9
Construction and materials	P10
Installation/Maintenance	P11
Product size and connection diagram	P12
Warranty card	P13

Introduction

Thank you for your patronage. We are confident that our excellent products and service can satisfy you. For your own safety, please read this user manual carefully before installing the device.

In order to install, operate, and maintain the lighting safely and correctly. We suggest that the installation and operation should be done by the verified technician and follow the instruction strictly.

Checking Parts

Please check if the following parts are included:

- 1 x Led light
- 1 x Power cable
- 1 x User manual

Please check carefully that there is no damage caused by transportation. Should there be any, consult your local dealer.

Caution

This device has left our premises in absolutely perfect condition. In order to maintain this condition and to ensure a safe operation, it is absolutely necessary for the user to follow the safety instructions and warning notes written in this user manual.

We cannot be made liable for damages caused by incorrect installations and unskilled operation!

CAUTION!



Keep this device away from rain and moisture!




Unplug mains lead before opening the housing!



Warning!

*Damages caused by the disregard of this user manual are not subject to warranty.
The dealer will not accept liability for any resulting defects or problems.*

Symbol Instruction On the Device

 -----CE certificate

 -----Only indoor using

 -----RoHS certificate

 -----The minimum distance from lighted objects (meter)


$T_a = \text{---} \text{ } ^\circ \text{C}$ -----Max ambient Temp

$T_B = \text{---} \text{ } ^\circ \text{C}$ -----Max housing Temp

 ----- Safety caution

 -----Be careful of burn

 -----Danger high voltage

 -----Do not install directly on the surface of ordinary combustible materials

I. Safety instruction

- If the device has been exposed to temperature changes due to environmental changes, do not switch it on immediately. The arising condensation could damage the device. Leave the device switched off until it has reached room temperature.
- Please make sure that the device be earthed.
- If the housing was broken, replace it and then operate.
- The electric connection must carry out by qualified person.
- Make sure that the available voltage is not higher than stated at the end of this manual.
- Make sure the power cord is never crimped or damaged by sharp edges. If this would be the case, replacement of the cable must be done by an authorized dealer.
- Please cut off the power if don't use the fixture or want to clean, maintenance.

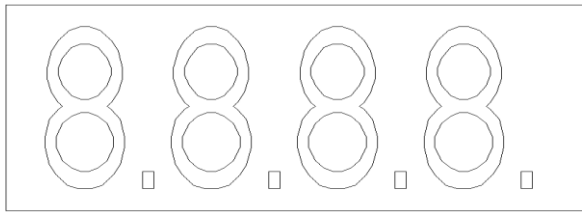
II. Installation

- 1When install this equipment please make sure there's no flammable surfaces (decorated things, etc) within at least 2.5M and maintain minimum distance of 0.5M from the equipment to the walls.
- Please place the appliance so as not to overlap the vent pipe.
- lock device in a fixed position.
- Use a socket with a grounded line to connect power.

III. Product Specification

- 4 DMX512 channels
- Light source: high power LED, long lifetime, high output, no radiation and low consumption.
- Master-slave control mode
- LED using static driving mode of constant current, constant current high precision level 256 brightness, flicker-free. A variety of strobe effect.
- LED display
- Built-in different inner program, can invoked directly.
- 3-pins XLR
- Power supply: AC100V-240V 50/60Hz
- Rated power: 35W.
- SMD5050 LED: 132*0.2W White LED (6500K LED)
- Operating temperature range: -25° to +40°
- Housing max ambient Temp: 65°C.
- Net weight: 1.2Kg
- Product size: 310*118*65mm

LED digit display menu:



A: MENU

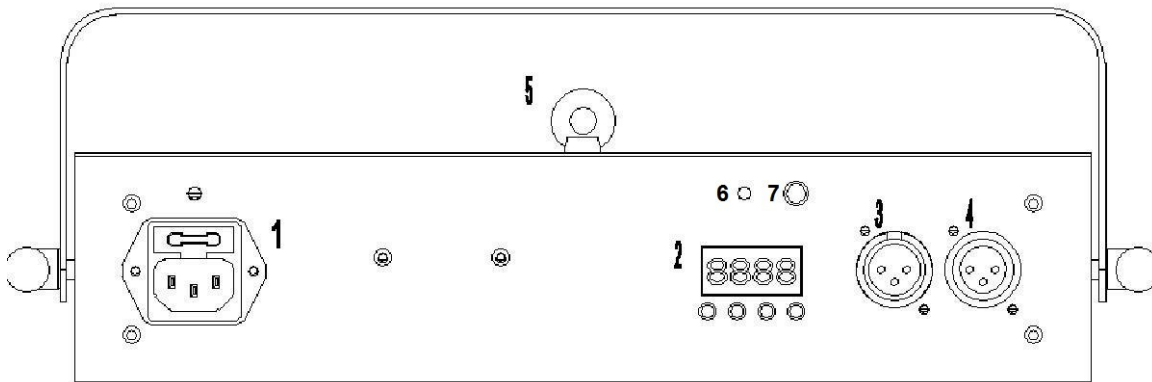
B: UP

C: DOWN

D: ENTER

Instructions: press A (MENU button) to show 11 different functions, the front 2 digital means the current function (see following chart). The last 2 digital means address, speed or other data under this function. Press B(UP button) or C (DOWN button) to change the data, press D (Enter button) to confirm.

Figure.1 (rear panel):



1. IEC connector for power cable with fuse holder
2. Display - shows the current operation mode and the values of the individual functions
3. DMX IN - 3 pin XLR connection to DMX controller.
4. DMX OUT- 3 pin XLR connection for DMX signal.
5. Hook to install special safety element.
6. Built-in microphone.
7. Volume control built-in microphone. (VOL)

LED digit display menu instruction

ID	Display	Function instruction
1	d001	DMX address setting (001-512)
2	A1.XX	Effect 1 , ABCD All strobe , Speed (00-99)
3	A2.XX	Effect 2 , A->B->C->D Running-water strobe , Speed (00-99)
4	A3.XX	Effect 3 , D->C->B->A Running-water strobe , Speed (00-99)
5	A4.XX	Effect 4 , A->B->C->D->C->B->A Running-water strobe , Speed (00-99)
6	A5.XX	Effect 5 , AC->BD Alternate strobe , Speed (00-99)
7	A6.XX	Effect 6 , AB->BC->CD->DA Alternate strobe , Speed (00-99)
8	A7.XX	Effect 7 , ABC->BCD->CDA->DAB Alternate strobe , Speed (00-99)
9	A8.XX	Static dimmer , From dark to light (00-99)
10	Soud	Sound activation, Sensitivity builds up the knob "VOL"
11	TXXX	Display temp

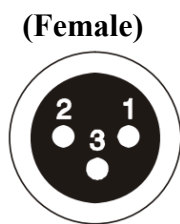
DMX512 4 channels instruction

Channel		Value	Function
CH1	Dimmer	0-1	Back out
		2-255	Linear dimmer 0-100%
CH2	Strobe	0-9	No Strobe
		10-255	Strobe Speed , From slow to fast
CH3	Effect	0-59	DMX512
		60 - 79	Effect 1 , ABCD all strobe , Speed (00-99)
		80 - 99	Effect 2 ,A->B->C->D Running-water strobe ,Speed(00-99)
		100 - 119	Effect 3 ,D->C->B->A Running-water strobe ,Speed(00-99)
		120 - 139	Effect 4 , A->B->C->D->C->B->A Running-water strobe , Speed (00-99)
		140 - 159	Effect 5 , AC->BD Alternate strobe , Speed (00-99)
		160 - 179	Effect 6 , AB->BC->CD->DA Alternate strobe , Speed (00-99)
		180 - 199	Effect 7 ,ABC->BCD->CDA->DAB Alternate strobe ,Speed (00-99)
		200 - 219	Effect 8 , Static Dimmer , From dark to light (00-99)
		220 - 255	Sound-active
CH4	Speed	0-255	From slow to fast

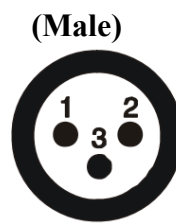
4channels	CH1	CH2	CH3	CH4
Function	Dimmer	Strobe	Effect	Speed
	0-1 Back out	0-9 No strobe	0-59 DMX512 60-79 Effect 1 80-99 Effect 2 100-119 Effect 3 120-139 Effect 4 140-159 Effect 5 160-179 Effect 6 180-199 Effect 7 200-219 Effect 8 220-255 Sound	
	Dimmer	Strobe speed		
	255	10slow		
	02	255fast		

IV. DMX-512 control connection

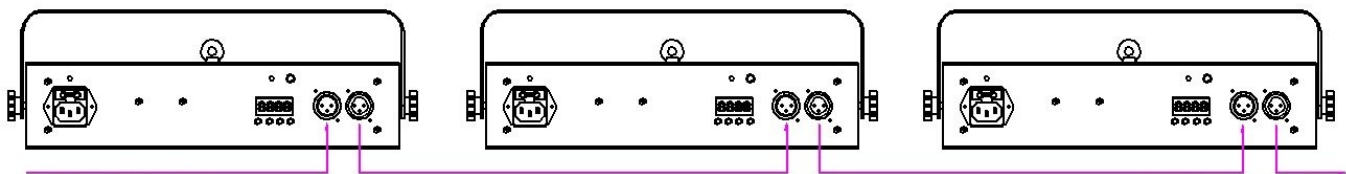
3-Pins DMX Out



3-Pins DMX In



1 Earth 2 DMX- 3 DMX+



DMX In

DMX Out to the 4th

Address code: 001

Address code: 005

Address code: 009

Notes: Setting master-slave: Set master machine at any mode except d001 and slave machine at d001. Just one unit can be settled as a master.

V. DMX address setting

Each fixture must set a specific starting address. When receiving signal transmission, fixture will receive channel control signals which from the starting address.

According to different requirements or easy to use, the user can set many value fixtures to the same address, also can set up a separate address for every device.

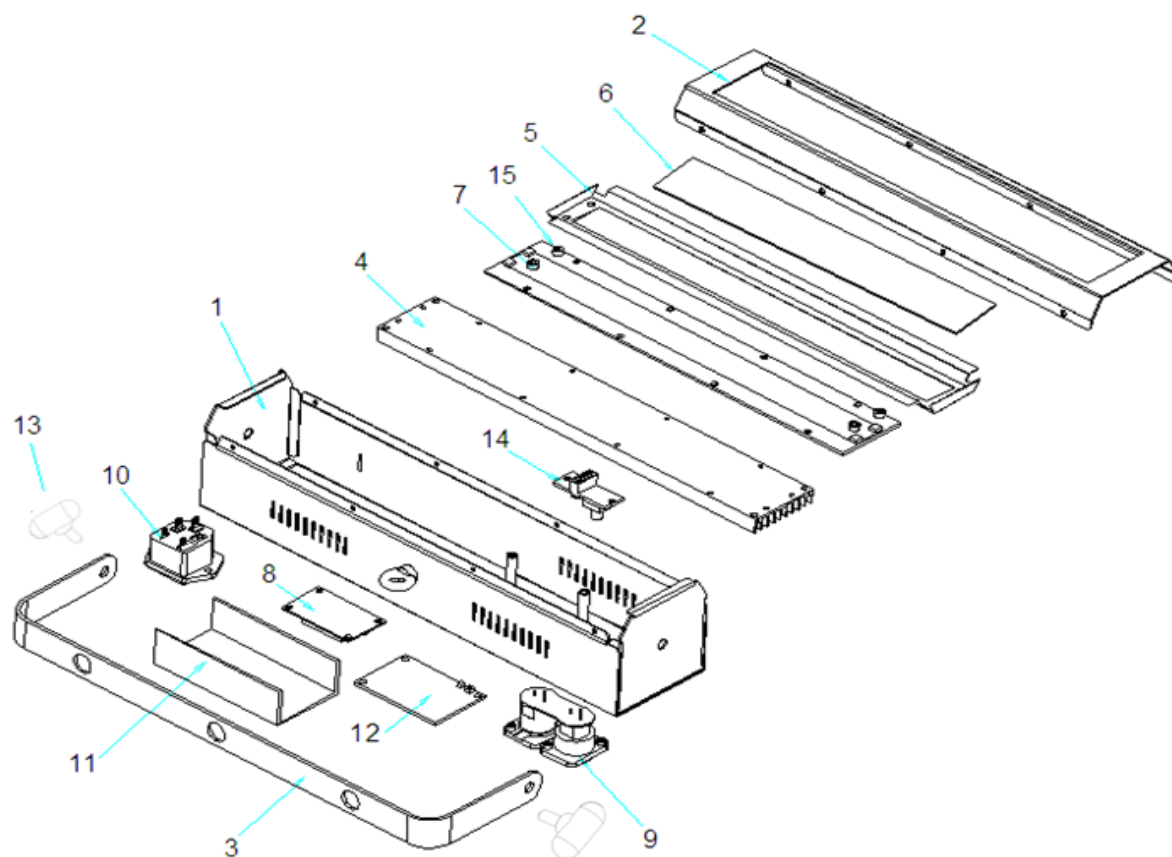
If you set the same address, all the devices will receive from DMX channels signal. All connecting fixtures are jointly controlled, controller can't separate control a device.

If you set a different address, each device will be separate from its particular set the starting address and begin accepting DMX512 control signal, so that more convenient separate control one device.

Using this method must be based on channel quantity of device to determine a starting address.

This led light has 4 channels. you should set the starting address of the first unit to 1, the second unit to 5(4+ 1), the third unit to 9 (4+ 5), and so on.

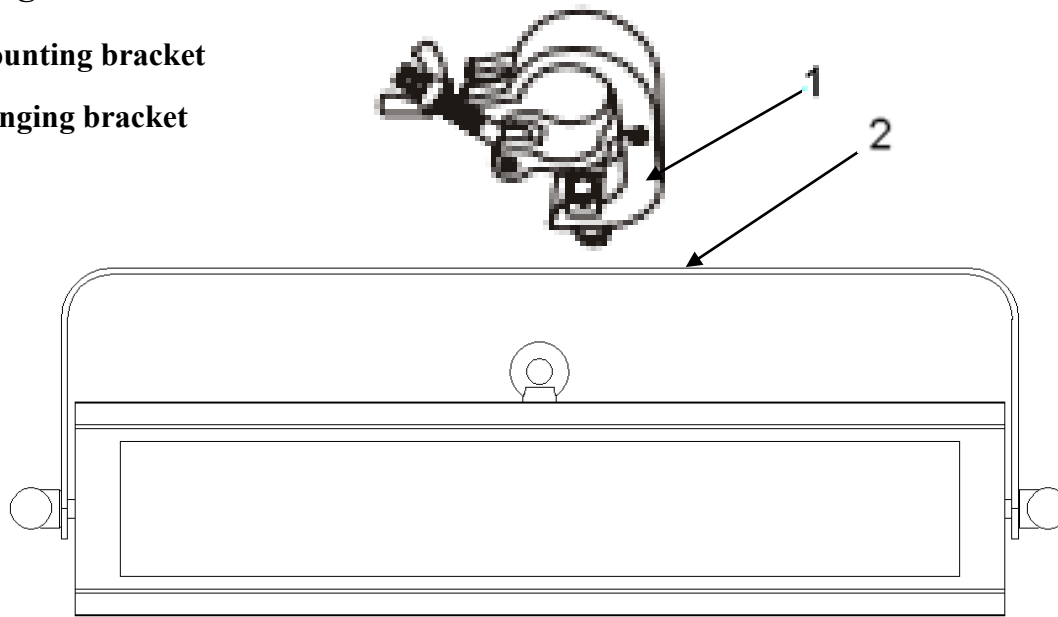
VI. Construction and Materials



No.	Material Name	QTY/Unit	Material Code
1	Bottom housing	1	311011007
2	Head housing	1	311006055
3	Bracket	1	316001069
4	Rear panel	1	322007029
5	LED reflective aluminum	1	322007030
6	Dustproof glass	1	302015025
7	LED Aluminum plate	1	205006007
8	Display board	1	205004015
9	XLR connection board	1	301904072
10	3-pins power socket, fuse	1	301923002
11	Power supply	1	204001028
12	Main board	1	205001118
13	Fasteners	2	306020021
14	Potentiometer substrate	1	301904301
15	Plastic stand	4	303001002

Ringing

1. Mounting bracket
2. Hanging bracket



- 1) The applicable temperature for the lighting is between -25°C to 40°C . Do not use the lighting under or above the temperature.
- 2) The installation of the effect has to be built and constructed in a way that it can hold 10 times the weight for 1 hour without any harming deformation.
- 3) The installation must always be secured with a secondary safety attachment, e.g. an appropriate safety rope. Never stand directly below the device when mounting, removing or servicing the fixture.
- 4) The operator has to make sure the safety relating and machine technical installations are approved by an expert before taking the device into operation for the first time.
- 5) These installations have to be approved by a skilled person once a year.
- 6) M8 screws on the mounting bracket which for fixed between hanging bracket's $\varnothing 12.5\text{mm}$ hole.

Cleaning and maintenance

Cleaning should be performed every 15-day period, by using a sponge which is dipped with alcohol, rather than wet cloth or other chemical liquid, to clean the mirror.



CAUTION

Cut off power before cleaning and maintenance!

Attention



Do not see directly light source when open the light, and make sure power off before do any installation or maintenance.



CAUTION!

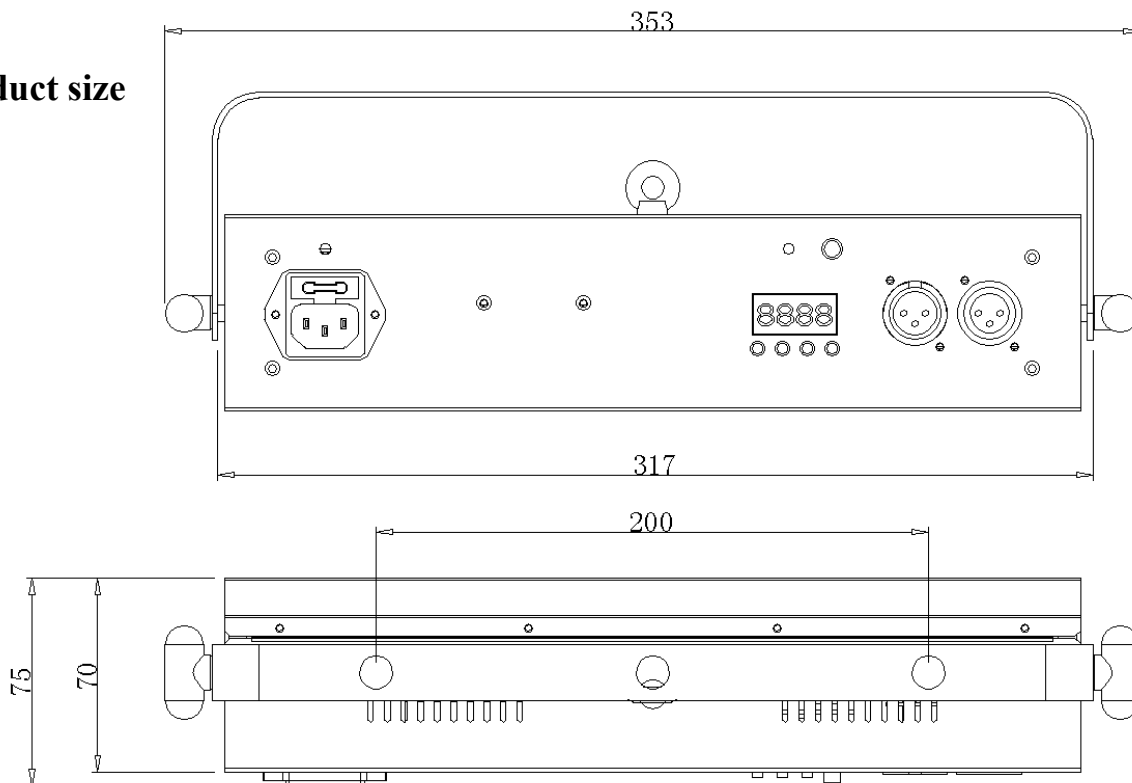
Never look directly into the light source, as sensitive persons may suffer an epileptic shock.



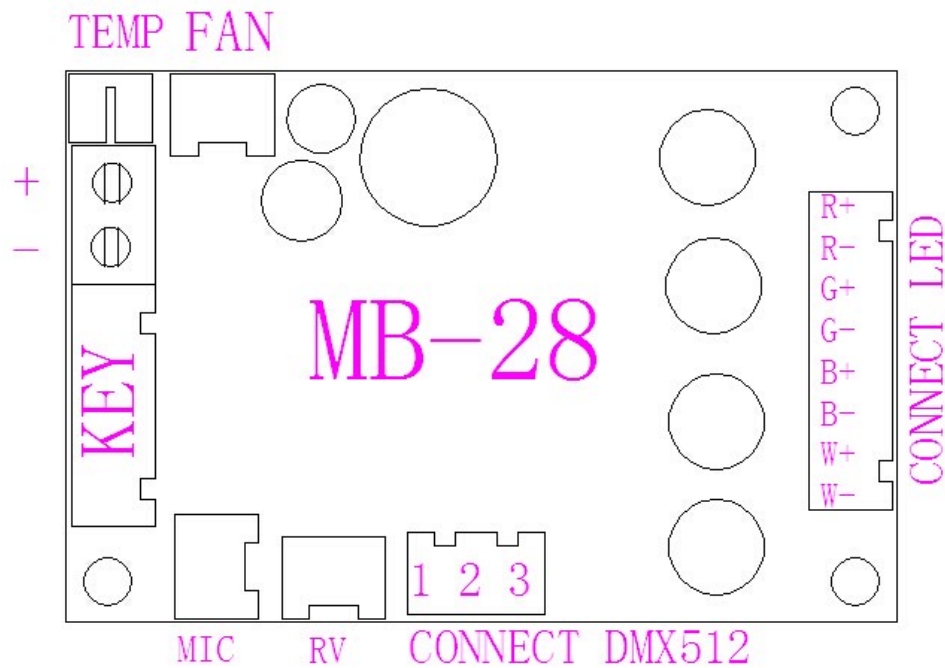
CAUTION

Wires connection must be professional person!

Product size



Connection diagram



Warranty Card

We will provide 1 year warranty under the condition that user has operated the light normally and lifetime service. We won't provide warranty if the damage is caused by artificial or force majeure event. Please cut this warranty card and shipped it along with the product to our factory when applying for warranty.

Product:	
Purchasing date:	
Code of invoice:	
Warranty date: From	To
User's name:	Add:
Company:	Tel: